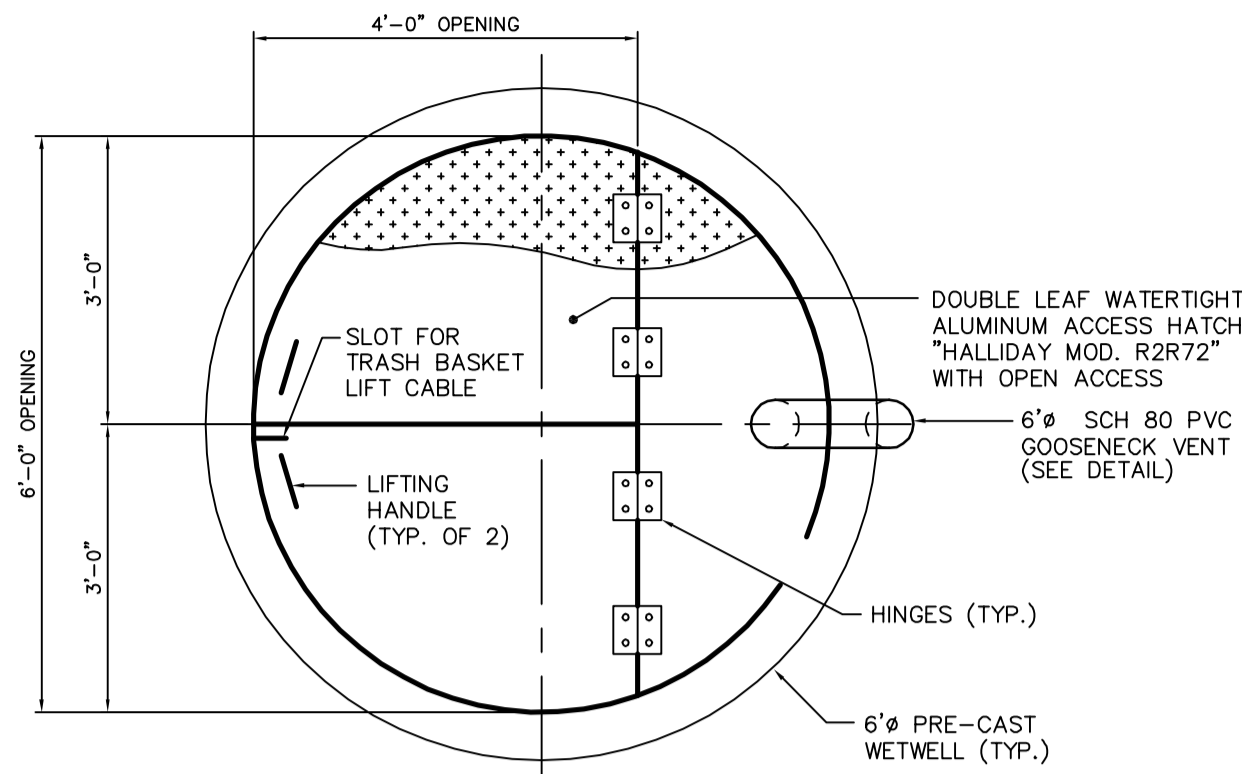


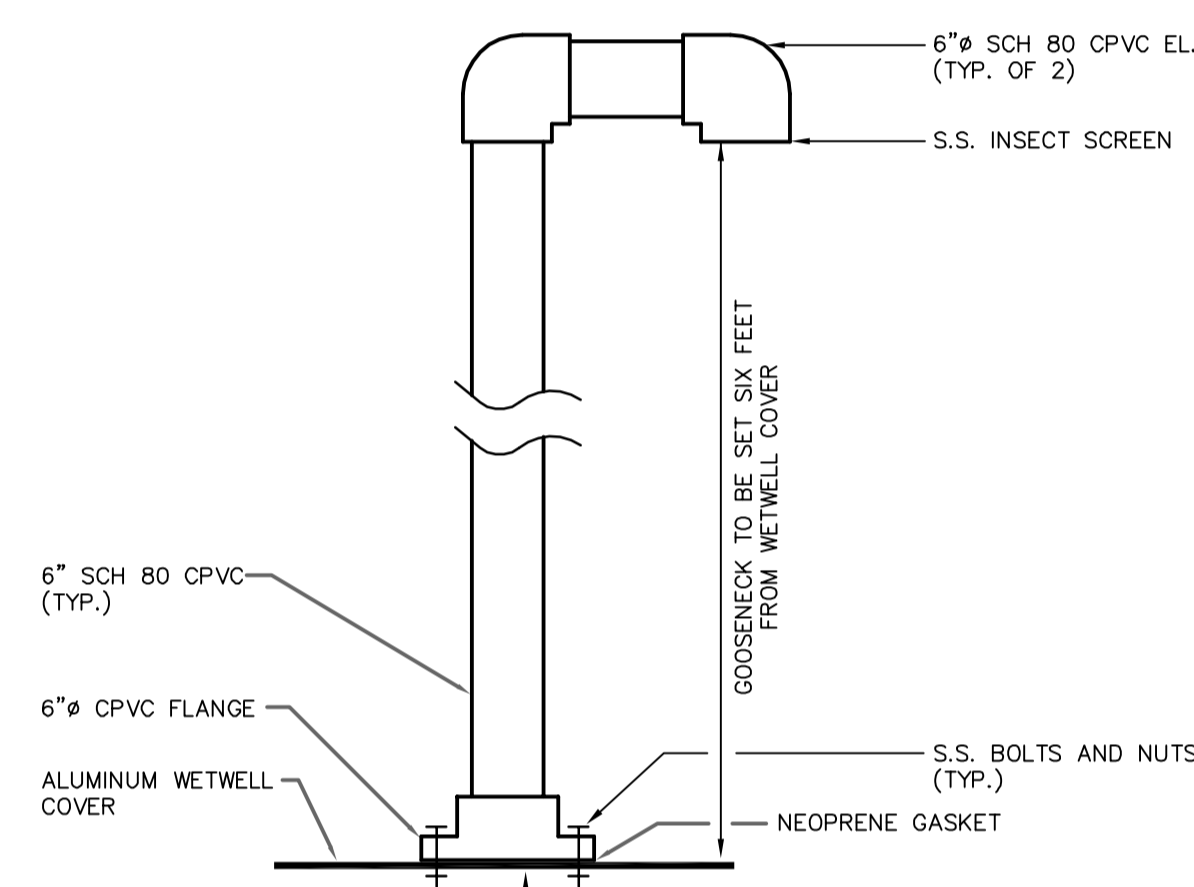
PORTABLE DAVIT CRANE DETAIL

SCALE: 1/2"=1'-0"



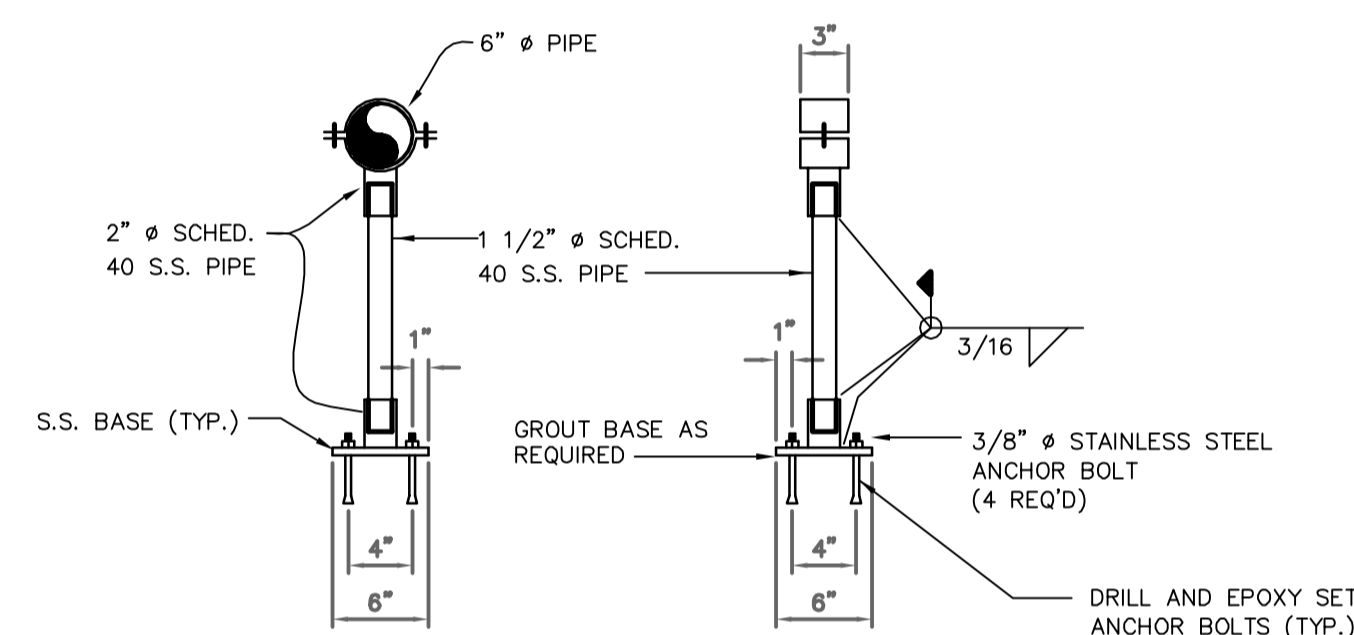
TOP SLAB DETAIL

SCALE: 1/2"=1'-0"



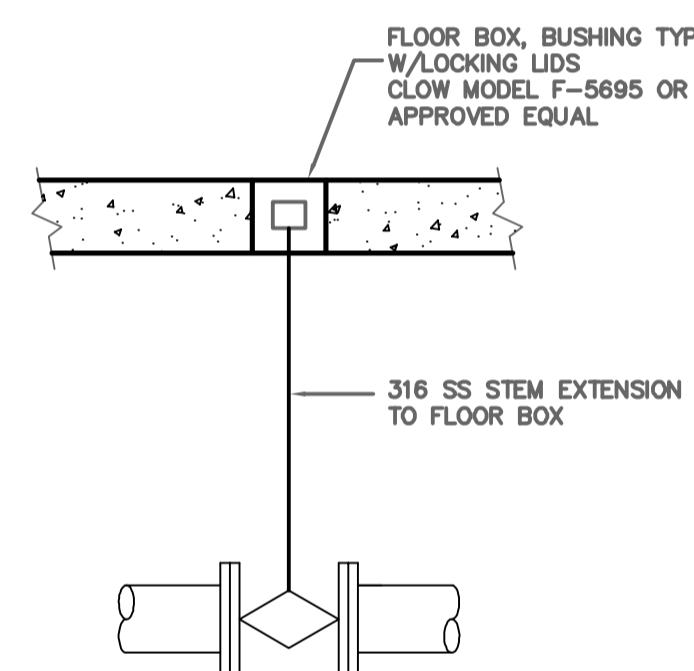
GOOSENECK DETAIL

N.T.S.



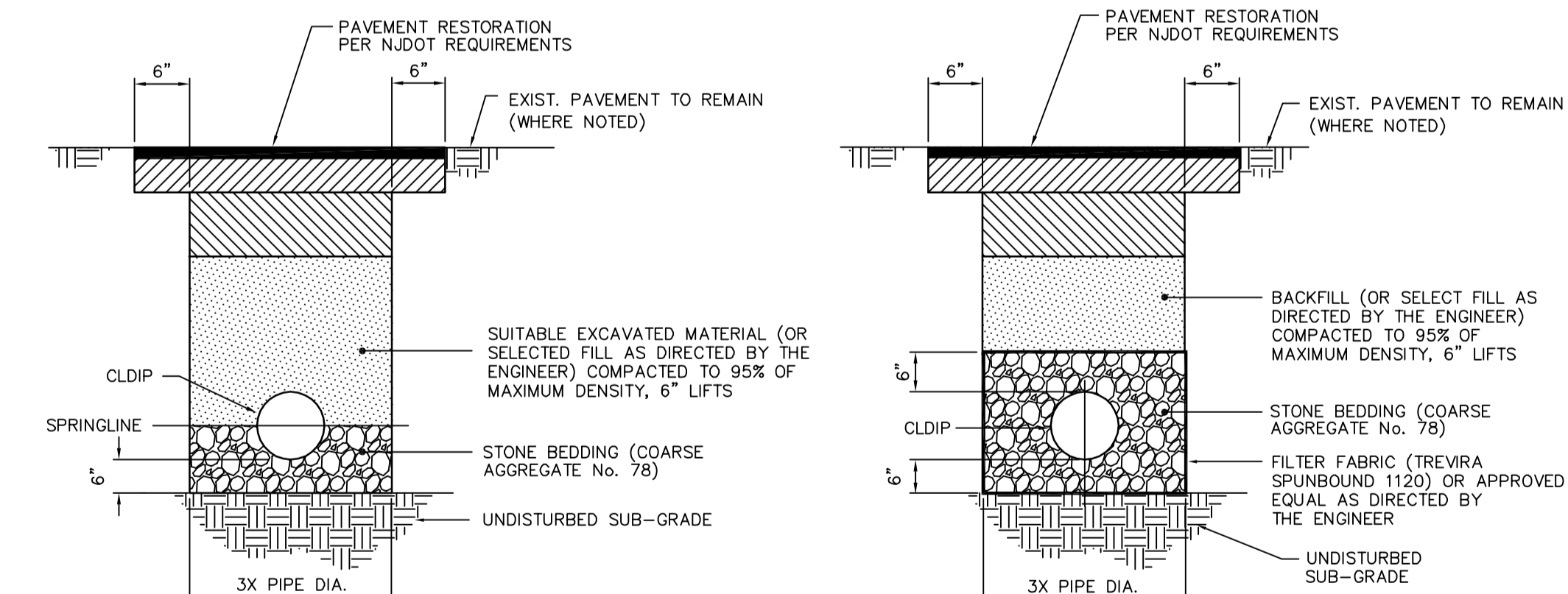
PIPE SUPPORT DETAIL

N.T.S.



VALVE STEM AND FLOOR BOX

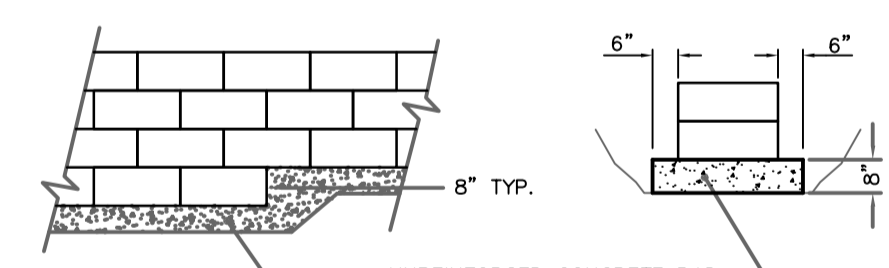
N.T.S.



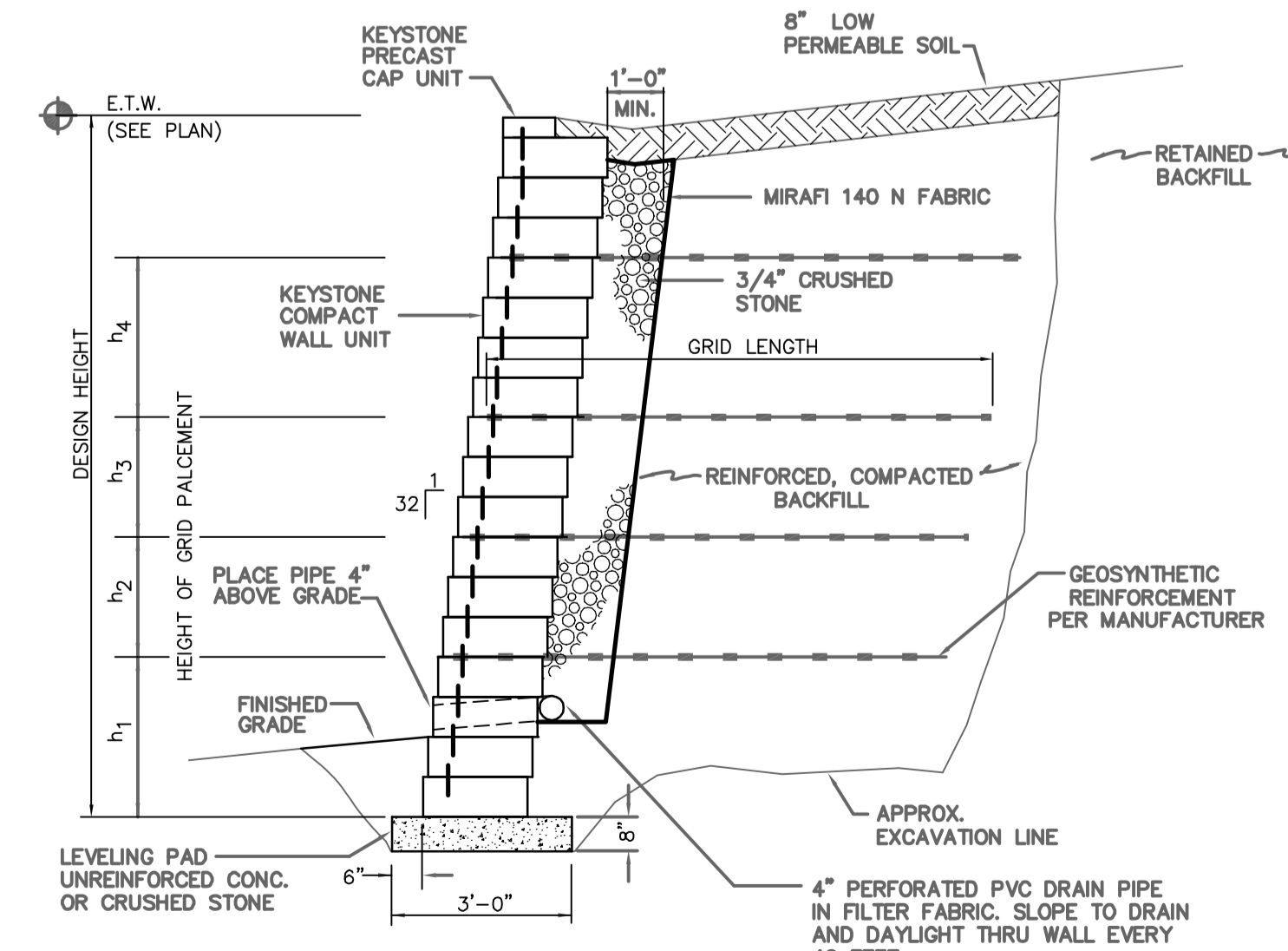
FORCE MAIN INSTALLATION

N.T.S.

- NOTES:
1. THE ENGINEER SHALL DETERMINE WHETHER THE TRENCH SHALL BE CLASSIFIED AS STABLE OR UNSTABLE.
 2. ALL EXCAVATED MATERIALS FROM THE UTILITY TRENCH SHALL BE STOCKPILED A MINIMUM DISTANCE EQUAL TO THE TRENCH DEPTH FROM THE TRENCH WALL.
 3. HOT POURED ASPHALT JOINT SEALER SHALL BE APPLIED TO ALL JOINTS.
 4. PROVIDE BRACING, SHEETING AND OTHER TRENCH STABILIZATION METHODS AS REQUIRED.
 5. WHERE TRENCH IS NOT IN PAVED AREA PROVIDE 6" TOPSOIL AND SEEDING FOR ALL DISTURBED AREAS.
 6. ENVELOPE INDICATES PAYMENT LIMIT FOR SELECT FILL.



LEVELING PAD AND STEP DETAILS



TYPICAL MODULAR BLOCK WALL

N.T.S.

NOTE: FILL ALL OPEN CORES WITH 3/4" CRUSHED STONE

NOTE: RETAINING WALL AND GEOSYNTHETIC REINFORCEMENT DESIGN SHALL BE PROVIDED BY KEYSTONE RETAINING WALL SYSTEMS, MINNEAPOLIS MN. OR APPROVED EQUAL.

CAUTION

ATMOSPHERE MAY BE HAZARDOUS

FOLLOW CONFINED SPACE ENTRY PROCEDURE

- NOTES:
1. PROVIDE (2) 14"x10" W REFLECTIVE ALUMINUM SIGNS BY EMECCO OR APPROVED EQUAL.
 2. SIGNS SHALL BE BOLTED TO THE EXTERIOR AND INTERIOR SIDES OF THE VALVE VAULT AND WET WELL ACCESS COVERS.

SIGN DETAIL

N.T.S.



GENERATOR AND ELECTRICAL EQUIPMENT PAD DETAIL

N.T.S.

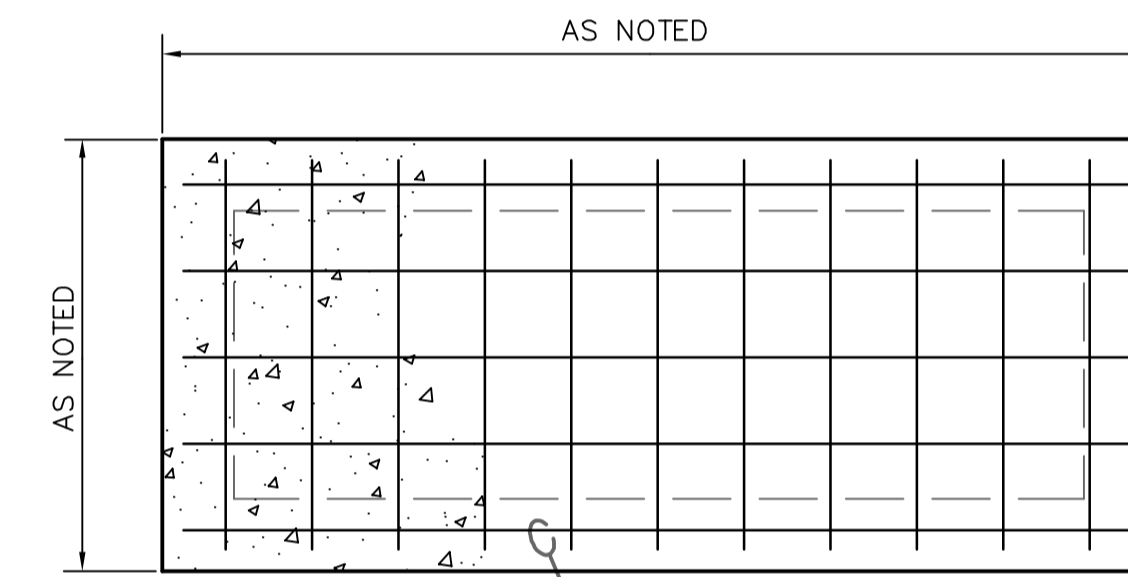
| PIPE SIZE | R | P | O | S |
|-----------|-----|-----|-----|-----|
| 6" | 20" | 12" | 12" | 6" |
| 8" | 20" | 16" | 16" | 6" |
| 10" | 20" | 21" | 20" | 9" |
| 12" | 20" | 27" | 22" | 10" |
| 14" | 21" | 30" | 27" | 12" |

CONCRETE THRUST BLOCK

N.T.S.

YARD HYDRANT DETAIL

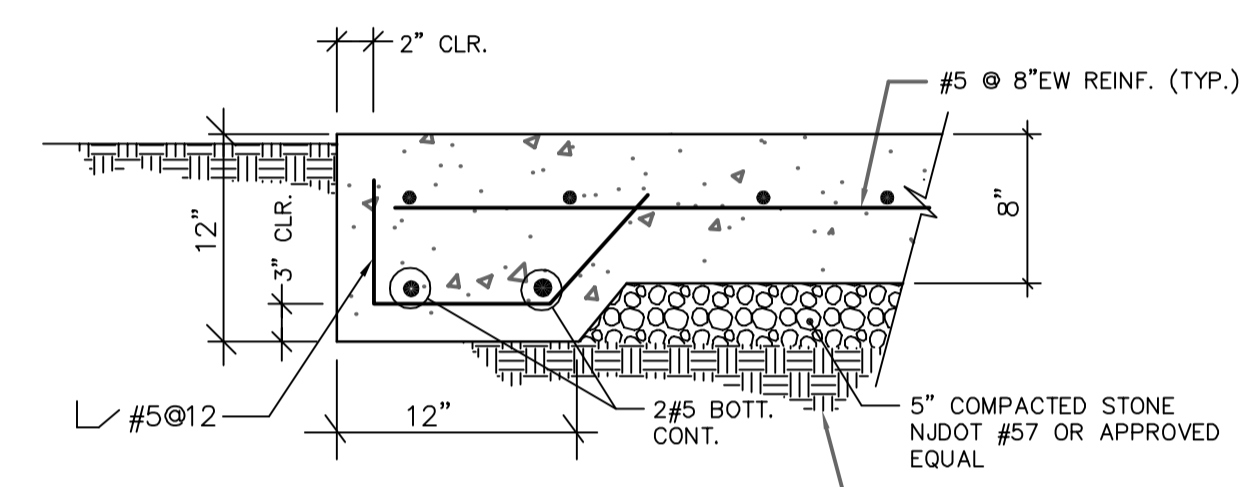
N.T.S.



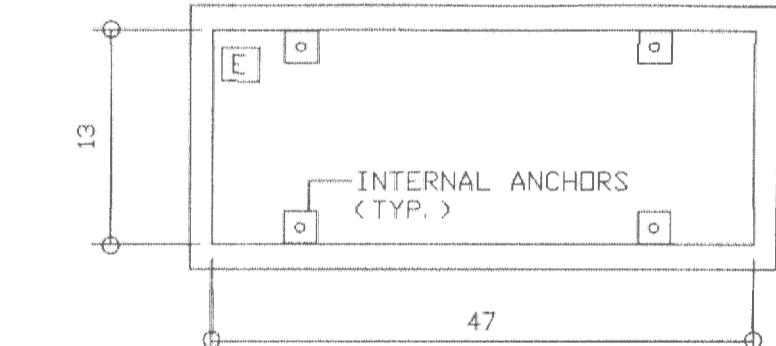
- NOTES:
1. LOCATION OF CURB STOP AND BOX TO BE AS SHOWN ON THE SITE PLAN AND NEVER OUTSIDE OF STREET R.O.W. OR IN SIDEWALK OR DRIVEWAY.
 2. NO PIPING SHALL BE BACKFILLED WITHOUT APPROVAL OF THE AUTHORITY.
 3. PROVIDE 1 VALVE WRENCH TO OWNER.
 4. PROVIDE A SIGN ON A DURABLE WEATHERPROOF METAL SHEET AT YARD HYDRANT MOUNTED TO THE RISER WHICH STATES "WATER NOT FOR DRINKING" IN 1" HIGH RED LETTERS ON A WHITE BACKGROUND.
 5. METER SYSTEM SHALL INCLUDE NUPTUNE T-10 1" METER WITH E-CODER SOLID STATE ABSOLUTE ENCODER AND RPOD METER INTERFACE UNIT (MIU). INSTALLATION SHALL BE AS RECOMMENDED BY MANUFACTURER.
 6. BACKFLOW PREVENTER SHALL BE SERIES 009 REDUCED PRESSURE ZONE ASSEMBLY BY WATTS REGULATOR OR APPROVED EQUAL WITH AIR GAP.

GENERATOR AND ELECTRICAL EQUIPMENT PAD EDGE TURN DOWN DETAIL

N.T.S.



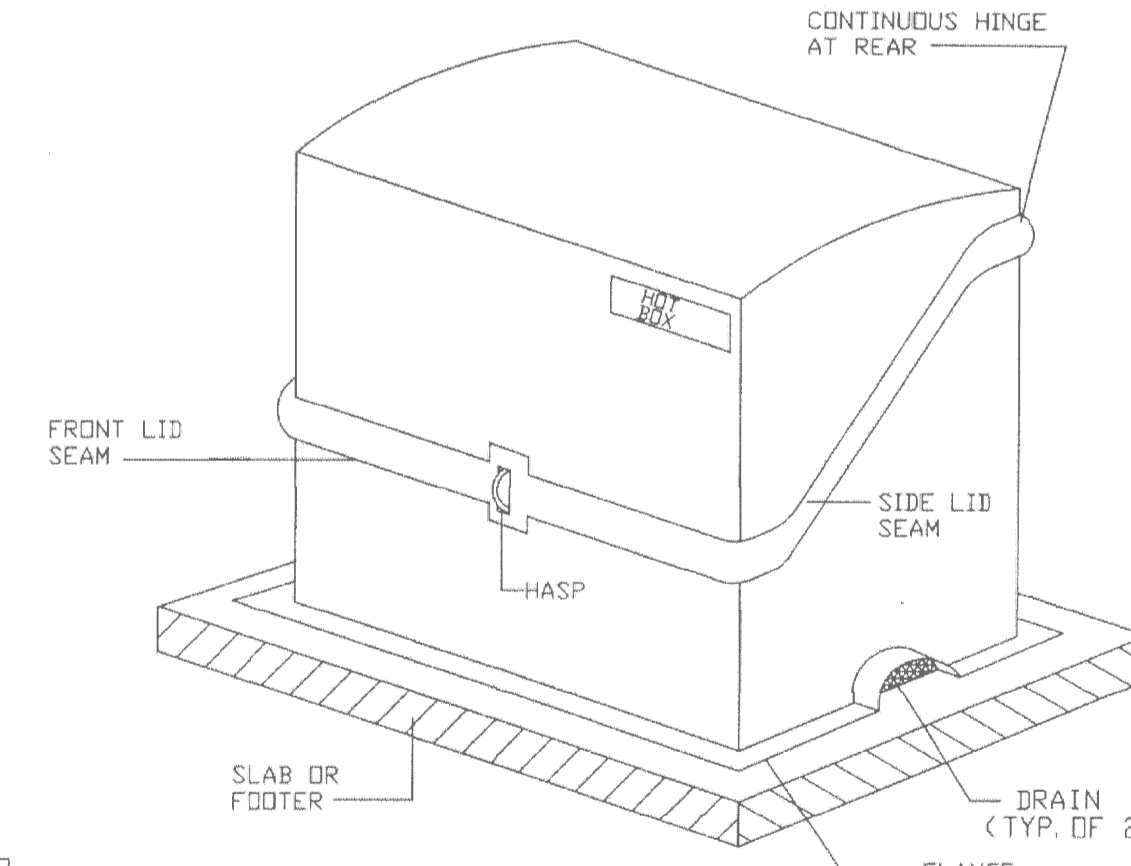
- NOTES:
1. GRADE 60 REBAR fy = 60ksi
 2. CONCRETE f'c = 4000 psi @ 28 DAYS.
 3. W/C RATIO = .40
 4. SLUMP = 4"



STANDARD #HB2S FIBERGLASS FLIP-TOP ENCLOSURE

N.T.S.

- NOTES:
1. SLAB SIZE: 58" LONG x 24" WIDE x 4" MINIMUM THICKNESS.
 2. HEAT IS PROVIDED BY A 90W, 120V, SINGLE PHASE HEAT TRACE CABLE.



RECORD DRAWING

| NO. | DATE | REVISIONS | BY | CHECKED |
|-----|---------|----------------|-----|---------|
| 1 | 1/30/09 | RECORD DRAWING | RLR | JAC |

WEYMOUTH TOWNSHIP MUNICIPAL UTILITIES AUTHORITY

BELCOVILLE WASTEWATER PUMP STATION REHABILITATION

BLOCK 994, LOT 46.01

WEYMOUTH TOWNSHIP, ATLANTIC COUNTY, NEW JERSEY

PUMP STATION DETAILS

| | | | |
|--|---|---|---------------------------------------|
| <p>1258 N. CAUGH STREET MOORESTOWN, NJ 08057 TEL 856-722-0700 FAX 856-722-0175</p> | <p>DAVID W. MUNION</p> <p>LICENSED PROFESSIONAL ENGINEER STATE OF NEW JERSEY LICENSE No. 32490</p> | | <p>DRAWING</p> <p>C4</p> |
| | <p>DESIGNED BY: SW</p> <p>PROJECT NO: WYUAD0031</p> | <p>DRAWN BY: WRW</p> <p>FILE NO: CC-2635</p> | <p>CHECKED BY:</p> <p>FIELD BR. #</p> |